



sealmatic[®]



STANDARD MECHANICAL SEALS FOR
Food & Beverage | Dairy | Distillery | Water & Waste Water | Energy & Utilities
Biotech & Pharmaceutical | Agriculture | Municipal | Mining

sealmaticindia.com





1 For ALFA LAVAL® Pumps **Page 1-6**

2 For FLYGT® Pumps **Page 7-10**

3 For FRISTAM® Pumps **Page 11-16**

4 For GRUNDFOS® Pumps **Page 17-19**

5 For HILGE® Pumps **Page 20-22**

Disclaimer:

The specifications, drawings, images etc included in this catalogue are intended to be generic and must be interpreted as equivalent or functionally equivalent. The identification of many items are facilitated by illustrations (photographs and general assembly drawings) and mention of, or reference to any specific standards, or trade names, including those that might appear on the photographs, drawings, images etc is intended for illustration purposes only, and does not imply an endorsement or imitation or preference of any specific standard, brand, manufacturer or supplier. Neither does the information imply the availability of any mentioned items. The items discussed alongwith the images, drawings etc portrayed are representative of industry catalogues, standards, terminology and specifications & hence accounting for any resemblance which otherwise may be co-incidental.

This Catalogue does not contain any guarantee or agreed quality of products or any warranty of merchantability, fitness for a particular purpose and non-infringement. The data and information contained herein are being provided for information only and without responsibility, and Sealmatic India Pvt. Ltd. makes no representations or warranties, either expressed or implied, as to the accuracy, completeness, or fitness for a particular purpose. Sealmatic does not accept any responsibility or liability with regard to the reliance on, or use of this data and information.

Sealmatic is continuously improving and upgrading their products with respect to quality and application and therefore any changes made to the catalogue may be made without any notice.

U200-SP1

For ALFA LAVAL® Pumps

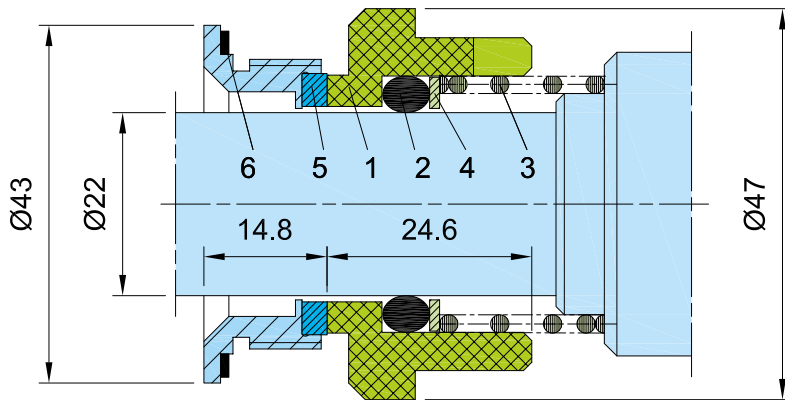


Product Description

1. Unbalanced
2. Dependent on direction of rotation
3. Rotating conical spring
4. For plain shafts

Technical Features

1. Applicable for low solid content
2. No damage of the shaft by set screw
3. Short installation lengths also possible
4. Universal application possibilities



Typical Industrial Applications

Food and beverage industry
 Food processing
 Pulp and paper industry
 Waste water

Performance Capabilities

Pressure: $p = 10$ bar
 Speed $v_g = 15$ m/sec.
 Temperature $t = -20$ to $+120^\circ\text{C}$

Materials

Rotary-SS, Carbon, SiC, TC
 Stationary- Carbon, Al-oxide, SiC, TC
 Secondary Seal- NBR, EPDM, FKM, FEP
 Spring- AISI 316, 304
 Other Part- AISI 316, 304

Suitable for ALFA LAVAL® Pumps Model

CM1A, CM1B, CM1C, CM1D, EM1C, EM1D

Item	Description
1	Seal face
2	O-ring
3	Spring
4	Thrust ring
5	Seat
6	Gasket

Alfa Laval® is a registered trademark of Alfa Laval AB

U200-SP2

For ALFA LAVAL® Pumps

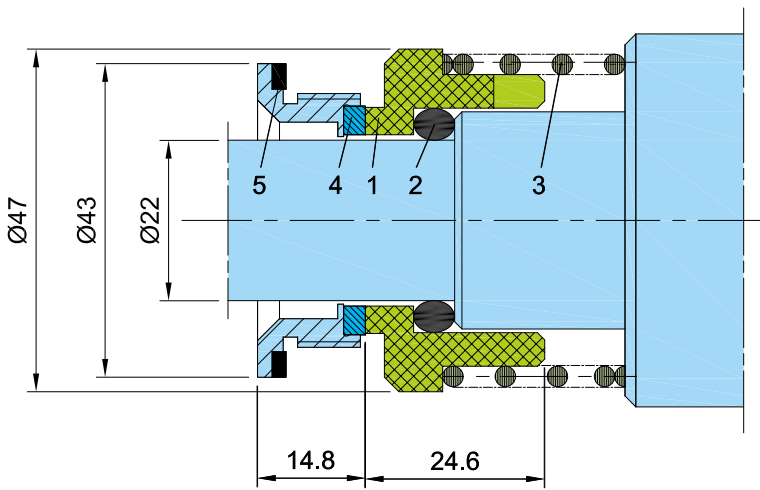


Product Description

1. Unbalanced
2. Dependent on direction of rotation
3. Rotating conical spring
4. For plain shafts

Technical Features

1. Applicable for low solid content
2. No damage of the shaft by set screw
3. Short installation lengths also possible
4. Universal application possibilities



Typical Industrial Applications

Food and beverage industry
 Food processing
 Pulp and paper industry
 Waste water

Performance Capabilities

Pressure: $p = 10$ bar
 Speed $v_g = 15$ m/sec.
 Temperature $t = -20$ to $+120^\circ\text{C}$

Materials

Rotary-SS, Carbon, SiC, TC
 Stationary- Carbon, Al-oxide, SiC, TC
 Secondary Seal- NBR, EPDM, FKM, FEP
 Spring- AISI 316, 304
 Other Part- AISI 316, 304

Suitable for ALFA LAVAL® Pumps Model

Fm0, FM0S, FM1A, FM1AE, FM2A, FM3A, FM4A

Item	Description
1	Seal face
2	O-ring
3	Spring
4	Seat
5	Gasket

Alfa Laval® is a registered trademark of Alfa Laval AB

U200-SP3

For ALFA LAVAL® Pumps

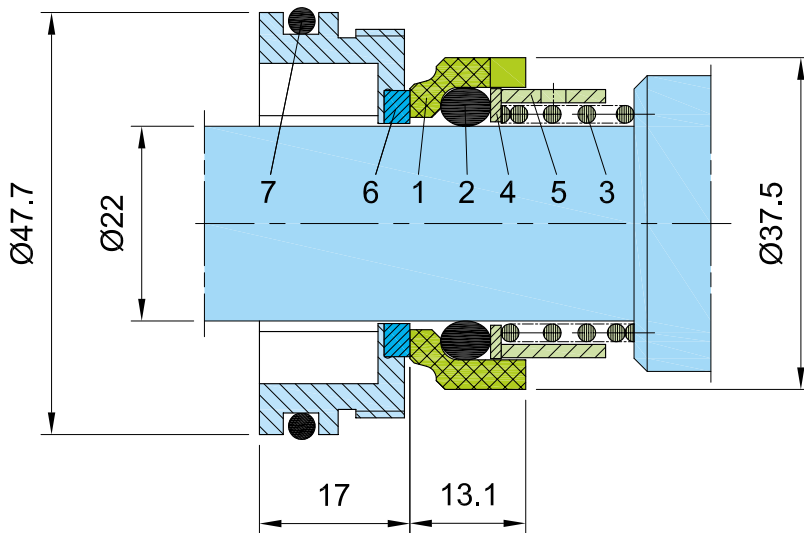


Product Description

1. Unbalanced
2. Dependent on direction of rotation
3. Rotating conical spring
4. For plain shafts

Technical Features

1. Applicable for low solid content
2. No damage of the shaft by set screw
3. Short installation lengths also possible
4. Universal application possibilities



Typical Industrial Applications

Food and beverage industry
 Food processing
 Pulp and paper industry
 Waste water

Performance Capabilities

Pressure: $p = 10$ bar
 Speed $v_g = 15$ m/sec.
 Temperature $t = -20$ to $+120^\circ\text{C}$

Materials

Rotary-SS, Carbon, SiC, TC
 Stationary- Carbon, Al-oxide, SiC, TC
 Secondary Seal- NBR, EPDM, FKM, FEP
 Spring- AISI 316, 304
 Other Part- AISI 316, 304

Suitable for ALFA LAVAL® Pumps Model

MR166A, MR166B, MR166E

Item	Description
1	Seal face
2	O-ring
3	Spring
4	Thrust ring
5	Spring sleeve
6	Seat
7	O-ring

Alfa Laval® is a registered trademark of Alfa Laval AB

U200-SP4

For ALFA LAVAL® Pumps

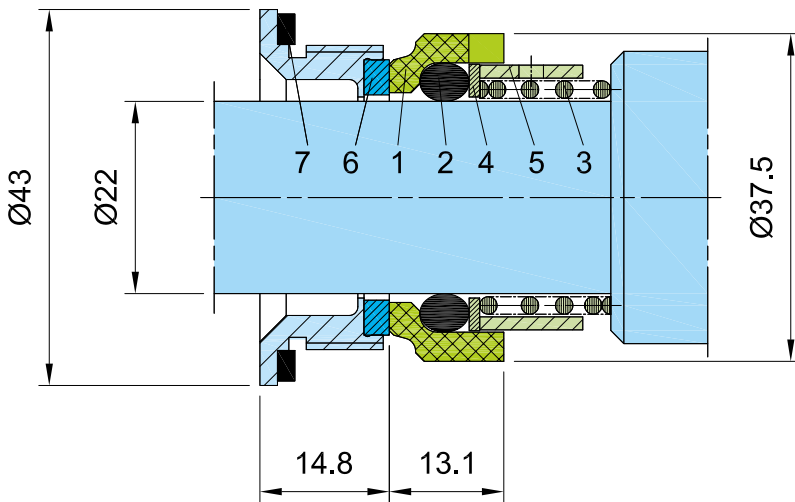


Product Description

1. Unbalanced
2. Dependent on direction of rotation
3. Rotating conical spring
4. For plain shafts

Technical Features

1. Applicable for low solid content
2. No damage of the shaft by set screw
3. Short installation lengths also possible
4. Universal application possibilities



Typical Industrial Applications

Food and beverage industry
 Food processing
 Pulp and paper industry
 Waste water

Performance Capabilities

Pressure: $p = 10$ bar
 Speed $v_g = 15$ m/sec.
 Temperature $t = -20$ to $+120^\circ\text{C}$

Materials

Rotary-SS, Carbon, SiC, TC
 Stationary- Carbon, Al-oxide, SiC, TC
 Secondary Seal- NBR, EPDM, FKM, FEP
 Spring- AISI 316, 304
 Other Part- AISI 316, 304

Suitable for ALFA LAVAL® Pumps Model

GM2A, GM2, GM1A, Gm1, ME155AE

Item	Description
1	Seal face
2	O-ring
3	Spring
4	Thrust ring
5	Spring sleeve
6	Seat
7	Gasket

Alfa Laval® is a registered trademark of Alfa Laval AB

U200-SP5

For ALFA LAVAL® Pumps

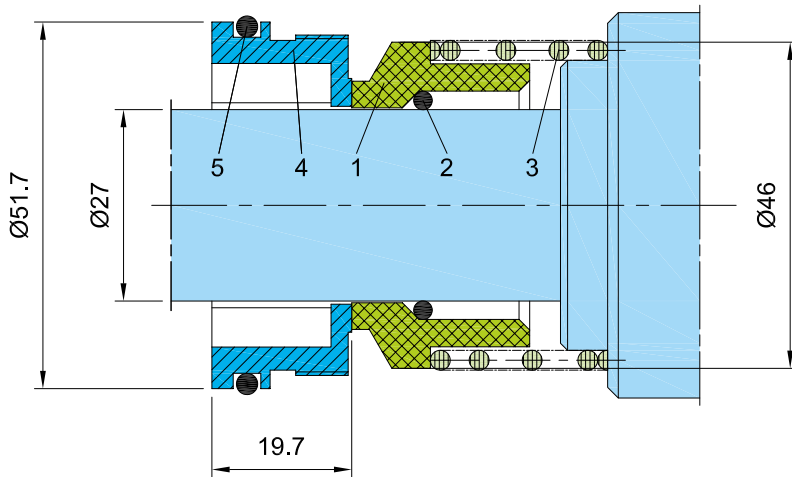


Product Description

1. Unbalanced
2. Dependent on direction of rotation
3. Rotating conical spring
4. For plain shafts

Technical Features

1. Applicable for low solid content
2. No damage of the shaft by set screw
3. Short installation lengths also possible
4. Universal application possibilities



Typical Industrial Applications

Food and beverage industry
 Food processing
 Pulp and paper industry
 Waste water

Performance Capabilities

Pressure: $p = 10$ bar
 Speed $v_g = 15$ m/sec.
 Temperature $t = -20$ to $+120^\circ\text{C}$

Materials

Rotary-SS, Carbon, SiC, TC
 Stationary- Carbon, Al-oxide, SiC, TC
 Secondary Seal- NBR, EPDM, FKM, FEP
 Spring- AISI 316, 304
 Other Part- AISI 316, 304

Suitable for ALFA LAVAL® Pumps Model

MR185A till MR200A

Item	Description
1	Seal face
2	O-ring
3	Spring
4	Seat
5	O-ring

Alfa Laval® is a registered trademark of Alfa Laval AB

U200-SP6

For ALFA LAVAL® Pumps

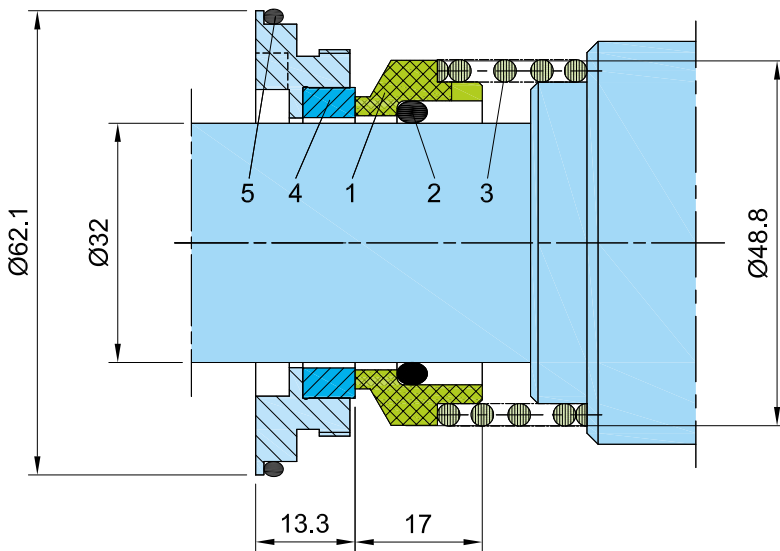


Product Description

1. Unbalanced
2. Dependent on direction of rotation
3. Rotating conical spring
4. For plain shafts

Technical Features

1. Applicable for low solid content
2. No damage of the shaft by set screw
3. Short installation lengths also possible
4. Universal application possibilities



Typical Industrial Applications

Food and beverage industry
 Food processing
 Pulp and paper industry
 Waste water

Performance Capabilities

Pressure: $p = 10$ bar
 Speed $v_g = 15$ m/sec.
 Temperature $t = -20$ to $+120^\circ\text{C}$

Materials

Rotary-SS, Carbon, SiC, TC
 Stationary- Carbon, Al-oxide, SiC, TC
 Secondary Seal- NBR, EPDM, FKM, FEP
 Spring- AISI 316, 304
 Other Part- AISI 316, 304

Suitable for ALFA LAVAL® Pumps Model

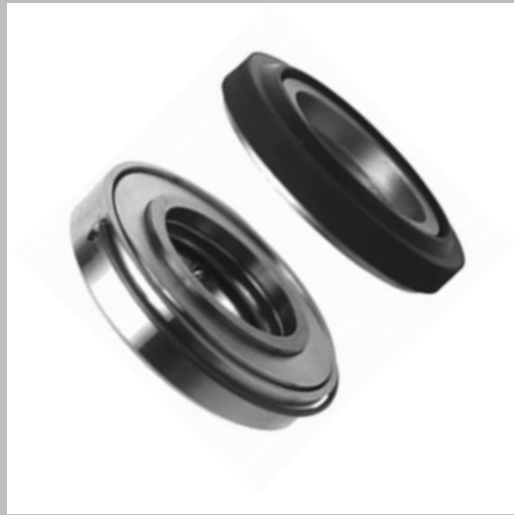
LKH5 till LKH60

Item	Description
1	Seal face
2	O-ring
3	Spring
4	Seat
5	O-ring

Alfa Laval® is a registered trademark of Alfa Laval AB

U700-SP1

For FLYGT® Pumps

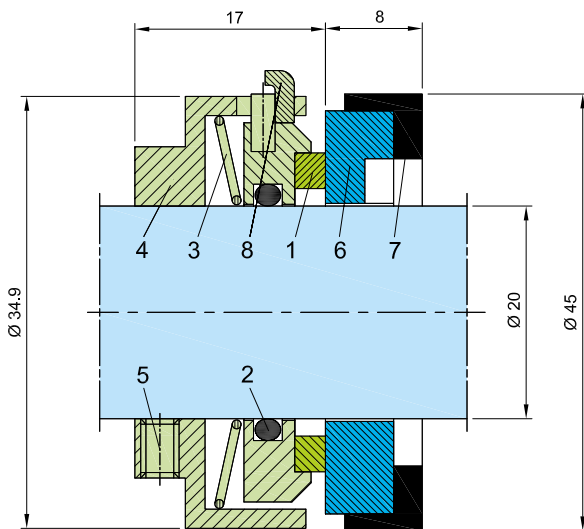


Product Description

1. Unbalanced
2. Independent on direction of rotation
3. Rotating conical spring
4. For plain shafts

Technical Features

1. Applicable for low solid content
2. Multifaceted application usage
3. Short installation lengths also possible
4. Universal application possibilities



Item	Description
1	Seal face
2	O-ring
3	Spring
4	Driver
5	Set screw
6	Seat
7	O-ring
8	Seat ring

Typical Industrial Applications

Chemical industry
 Food and beverage industry
 Medias with low solid contents
 Marine applications
 Process industry
 Water and waste water technology
 Chemical standard pumps
 Gear wheel feed pumps
 Multistage pumps
 Vertical screw pumps

Performance Capabilites

Pressure: $p = 10$ bar
 Speed $v_g = 15$ m/sec.
 Temperature $t = -20$ to $+120^\circ\text{C}$

Materials

Seal Face - Carbon, SS, SiC, TC
 Seat - Carbon, Al-oxide, SiC, TC
 Secondary Seal- NBR, EPDM, FKM, FEP
 Spring- AISI 316, 304
 Other Part- AISI 316, 304

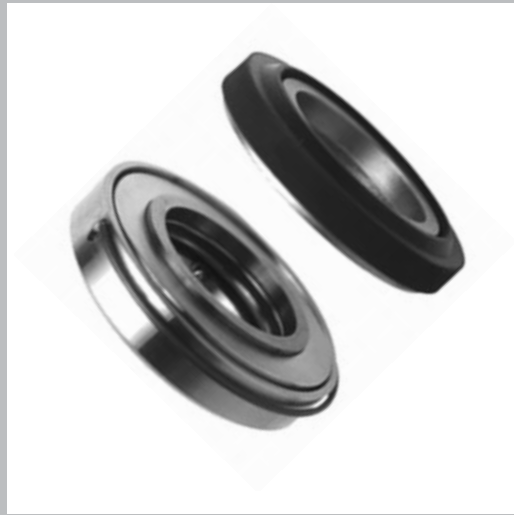
Suitable for FLYGT® Pumps Model

2024, 2060, 2066, 2075, 2101, 3041-281, 3057, 3057-180, 3060, 3065, 3067-170, 3067-250, 3068, 3080, 3085-91, 3085-120, 3085-170, 3085-171, 3085-71, 3085-280, 3082-290, 3085-890, 4351, 4352, 4400, steady® 7

Flygt® is a registered trademark of Xylem Inc

U700-SP2

For FLYGT® Pumps

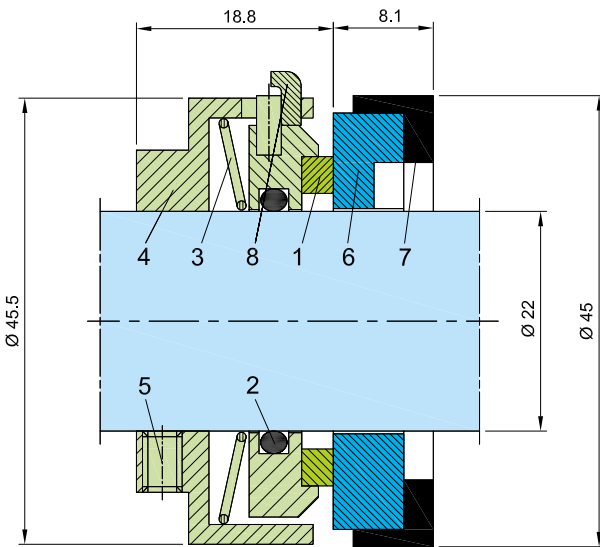


Product Description

1. Unbalanced
2. Independent on direction of rotation
3. Rotating conical spring
4. For plain shafts

Technical Features

1. Applicable for low solid content
2. Multifaceted application usage
3. Short installation lengths also possible
4. Universal application possibilities



Item	Description
1	Seal face
2	O-ring
3	Spring
4	Driver
5	Set screw
6	Seat
7	L-ring
8	Seat ring

Typical Industrial Applications

- Chemical industry
- Food and beverage industry
- Medias with low solid contents
- Marine applications
- Process industry
- Water and waste water technology
- Chemical standard pumps
- Gear wheel feed pumps
- Mulistage pumps
- Vertical screw pumps

Performance Capabilities

- Pressure: $p = 10$ bar
- Speed $v_g = 15$ m/sec.
- Temperature $t = -20$ to $+120^\circ\text{C}$

Materials

- Seal Face - Carbon, SS, SiC, TC
- Seat - Carbon, Al-oxide, SiC, TC
- Secondary Seal- NBR, EPDM, FKM, FEP
- Spring- AISI 316, 304
- Other Part- AISI 316, 304

Suitable for FLYGT® Pumps Model

- 2070, 2071, 2102-40, 3082

Flygt® is a registered trademark of Xylem Inc

U700-SP3

For FLYGT® Pumps

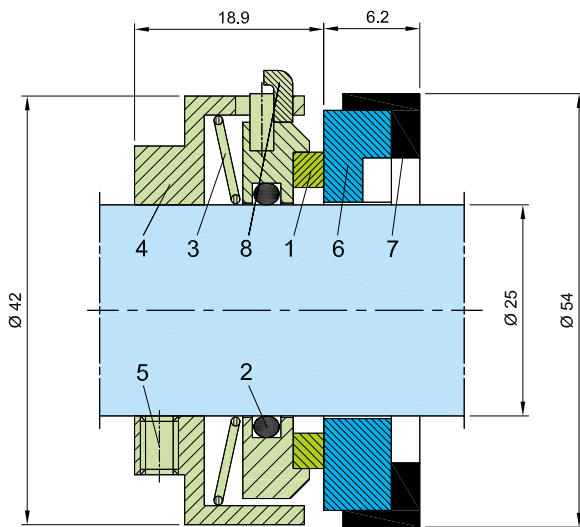


Product Description

1. Unbalanced
2. Independent on direction of rotation
3. Rotating conical spring
4. For plain shafts

Technical Features

1. Applicable for low solid content
2. Multifaceted application usage
3. Short installation lengths also possible
4. Universal application possibilities



Item	Description
1	Seal face
2	O-ring
3	Spring
4	Driver
5	Set screw
6	Seat
7	L-ring
8	Seat ring

Typical Industrial Applications

Chemical industry
 Food and beverage industry
 Medias with low solid contents
 Marine applications
 Process industry
 Water and waste water technology
 Chemical standard pumps
 Gear wheel feed pumps
 Multistage pumps
 Vertical screw pumps

Performance Capabilities

Pressure: $p = 10$ bar
 Speed $v_g = 15$ m/sec.
 Temperature $t = -20$ to $+120^\circ\text{C}$

Materials

Seal Face - Carbon, SS, SiC, TC
 Seat - Carbon, Al-oxide, SiC, TC
 Secondary Seal- NBR, EPDM, FKM, FEP
 Spring- AISI 316, 304
 Other Part- AISI 316, 304

Suitable for FLYGT® Pumps Model

3102, Grindex® Majir, Master, Matador, Midi, Minette, Salvador

Flygt® is a registered trademark of Xylem Inc

U700-SP4

For FLYGT® Pumps

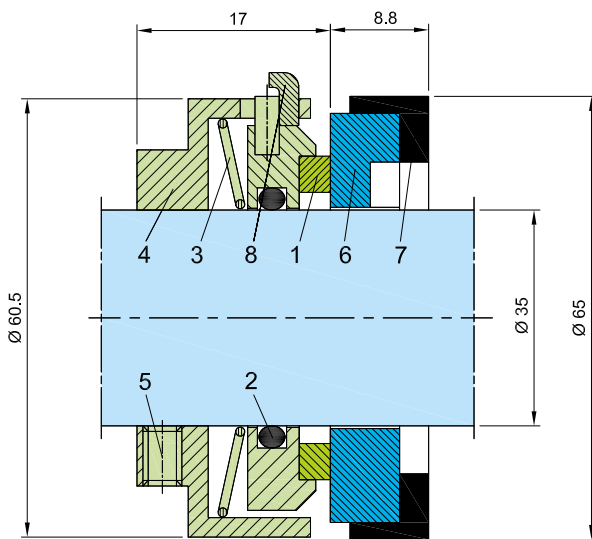


Product Description

1. Unbalanced
2. Independent on direction of rotation
3. Rotating conical spring
4. For plain shafts

Technical Features

1. Applicable for low solid content
2. Multifaceted application usage
3. Short installation lengths also possible
4. Universal application possibilities



Item	Description
1	Seal face
2	O-ring
3	Spring
4	Driver
5	Set screw
6	Seat
7	L-ring
8	Seat ring

Typical Industrial Applications

Chemical industry
 Food and beverage industry
 Medias with low solid contents
 Marine applications
 Process industry
 Water and waste water technology
 Chemical standard pumps
 Gear wheel feed pumps
 Multistage pumps
 Vertical screw pumps

Performance Capabilities

Pressure: $p = 10$ bar
 Speed $v_g = 15$ m/sec.
 Temperature $t = -20$ to $+120^\circ\text{C}$

Materials

Seal Face - Carbon, SS, SiC, TC
 Seat - Carbon, Al-oxide, SiC, TC
 Secondary Seal- NBR, EPDM, FKM, FEP
 Spring- AISI 316, 304
 Other Part- AISI 316, 304

Suitable for FLYGT® Pumps Model

3126-90, 3126-180, 3126-91, 3126-280, 3126-290,
 3126-181, 3127, 4440, 5530, 2084, 2135, 2151-10,
 2151-11, 2151-50, 2201-10

Flygt® is a registered trademark of Xylem Inc

U320-SP1-A

For FRISTAM® Pumps

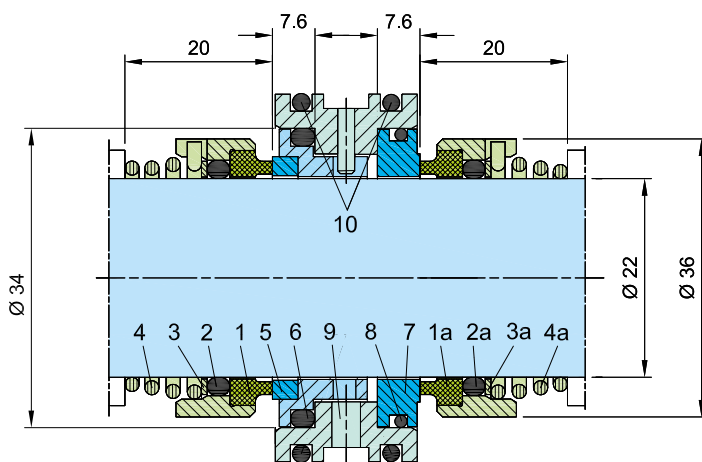


Product Description

1. Unbalanced
2. Independent on direction of rotation
3. Rotating conical or cylindrical spring
4. For Straight shafts

Technical Features

1. Applicable for low solid content
2. No damage of the shaft by set screw
3. Short installation lengths also possible
4. Universal application possibilities
5. Low cost seal solution



Item	Description
1	Seal face
2	O-ring
3	Thrust ring
4	Spring
1a	Seal face
2a	O-ring
3a	Thrust ring
4a	Spring
5	Seat
6	O-ring
7	Seat
8	O-ring
9	Housing
10	O-ring

Typical Industrial Applications

Chemical industry
 Food and beverage industry
 Process industry
 Water and waste water technology
 Chemical standard pumps
 Eccentric screw pumps
 Submersible pumps

Performance Capabilities

Pressure: $p = 10 \text{ bar}$
 Speed $v_g = 15 \text{ m/sec.}$
 Temperature $t = -20 \text{ to } +120^\circ\text{C}$

Materials

Seal Face - SS, Carbon, SiC, TC
 Seat - Al-oxide, SiC, TC
 Secondary Seal- NBR, EPDM, FKM, FEP
 Spring- AISI 316, 304
 Other Part- AISI 316, 304

Suitable for FRISTAM® Pumps Model

2201/1 Collet Arrangement

Fristam® is a registered trademark of Fristam Pumpen KG (GmbH & Co.)

U320-SP1-B

For FRISTAM® Pumps

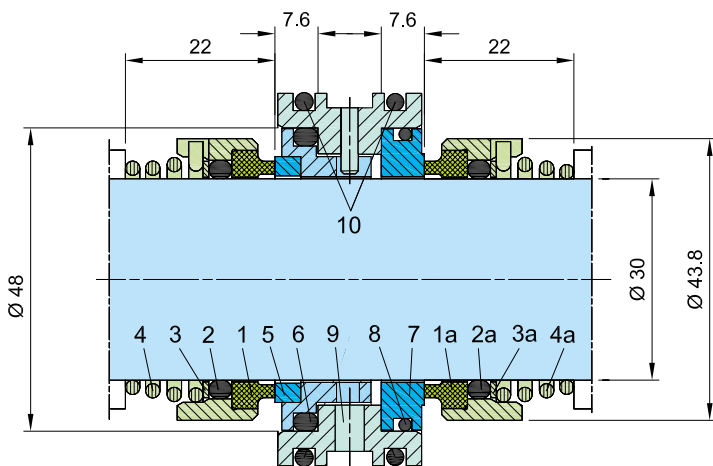


Product Description

1. Unbalanced
2. Independent on direction of rotation
3. Rotating conical or cylindrical spring
4. For Straight shafts

Technical Features

1. Applicable for low solid content
2. No damage of the shaft by set screw
3. Short installation lengths also possible
4. Universal application possibilities
5. Low cost seal solution



Item	Description
1	Seal face
2	O-ring
3	Thrust ring
4	Spring
1a	Seal face
2a	O-ring
3a	Thrust ring
4a	Spring
5	Seat
6	O-ring
7	Seat
8	O-ring
9	Housing
10	O-ring

Typical Industrial Applications

Chemical industry
 Food and beverage industry
 Process industry
 Water and waste water technology
 Chemical standard pumps
 Eccentric screw pumps
 Submersible pumps

Performance Capabilities

Pressure: $p = 10$ bar
 Speed $v_g = 15$ m/sec.
 Temperature $t = -20$ to $+120^\circ\text{C}$

Materials

Seal Face - SS, Carbon, SiC, TC
 Seat - Al-oxide, SiC, TC
 Secondary Seal- NBR, EPDM, FKM, FEP
 Spring- AISI 316, 304
 Other Part- AISI 316, 304

Suitable for FRISTAM® Pumps Model

3001/1 Collet Arrangement

Fristam® is a registered trademark of Fristam Pumpen KG (GmbH & Co.)

U320-SP1-C

For FRISTAM® Pumps

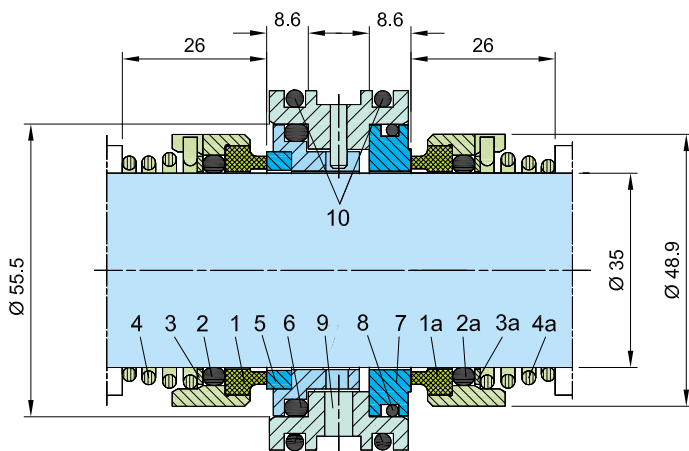


Product Description

1. Unbalanced
2. Independent on direction of rotation
3. Rotating conical or cylindrical spring
4. For Straight shafts

Technical Features

1. Applicable for low solid content
2. No damage of the shaft by set screw
3. Short installation lengths also possible
4. Universal application possibilities
5. Low cost seal solution



Item	Description
1	Seal face
2	O-ring
3	Thrust ring
4	Spring
1a	Seal face
2a	O-ring
3a	Thrust ring
4a	Spring
5	Seat
6	O-ring
7	Seat
8	O-ring
9	Housing
10	O-ring

Typical Industrial Applications

Chemical industry
 Food and beverage industry
 Process industry
 Water and waste water technology
 Chemical standard pumps
 Eccentric screw pumps
 Submersible pumps

Performance Capabilities

Pressure: $p = 10$ bar
 Speed $v_g = 15$ m/sec.
 Temperature $t = -20$ to $+120^\circ\text{C}$

Materials

Seal Face - SS, Carbon, SiC, TC
 Seat - Al-oxide, SiC, TC
 Secondary Seal- NBR, EPDM, FKM, FEP
 Spring- AISI 316, 304
 Other Part- AISI 316, 304

Suitable for FRISTAM® Pumps Model

3501/1 Collet Arrangement

Fristam® is a registered trademark of Fristam Pumpen KG (GmbH & Co.)

U320-SP2-A

For FRISTAM® Pumps

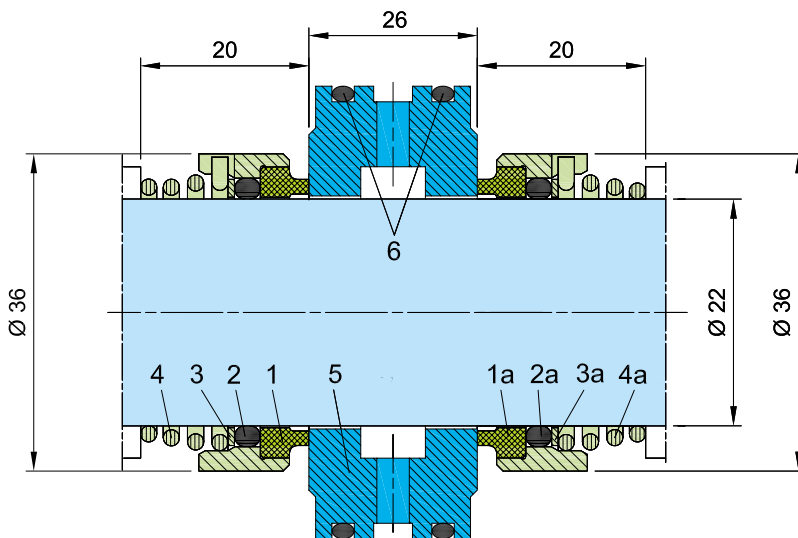


Product Description

1. Unbalanced
2. Independent on direction of rotation
3. Rotating conical or cylindrical spring
4. For Straight shafts

Technical Features

1. Applicable for low solid content
2. No damage of the shaft by set screw
3. Short installation lengths also possible
4. Universal application possibilities
5. Low cost seal solution



Typical Industrial Applications

Chemical industry
 Food and beverage industry
 Process industry
 Water and waste water technology
 Chemical standard pumps
 Eccentric screw pumps
 Submersible pumps

Performance Capabilities

Pressure: $p = 10 \text{ bar}$
 Speed $v_g = 15 \text{ m/sec.}$
 Temperature $t = -20 \text{ to } +120^\circ\text{C}$

Materials

Seal Face - SS, Carbon, SiC, TC
 Seat - SS, Al-oxide, SiC, TC
 Secondary Seal- NBR, EPDM, FKM, FEP
 Spring- AISI 316, 304
 Other Part- AISI 316, 304

Suitable for FRISTAM® Pumps Model

2201/2 Collet Arrangement

Item	Description
1	Seal face
2	O-ring
3	Thrust ring
4	Spring
1a	Seal face
2a	O-ring
3a	Thrust ring
4a	Spring
5	Seat
6	O-ring

Fristam® is a registered trademark of Fristam Pumpen KG (GmbH & Co.)

U320-SP2-B

For FRISTAM® Pumps

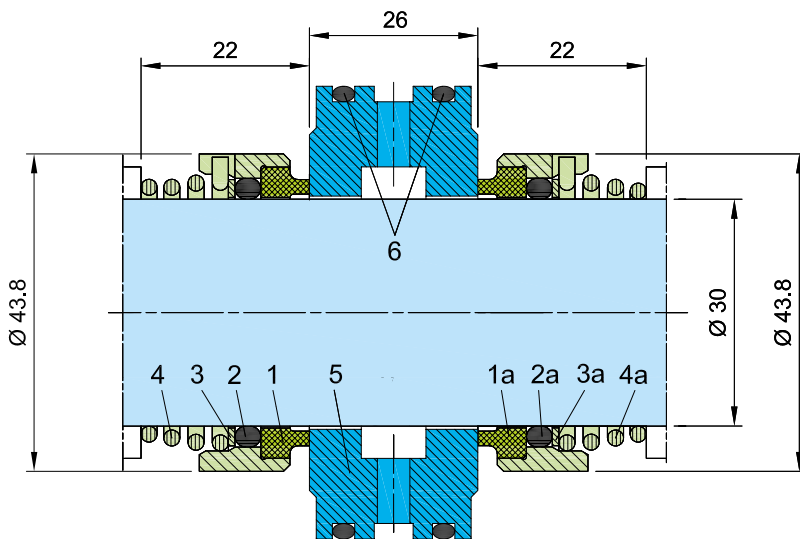


Product Description

1. Unbalanced
2. Independent on direction of rotation
3. Rotating conical or cylindrical spring
4. For Straight shafts

Technical Features

1. Applicable for low solid content
2. No damage of the shaft by set screw
3. Short installation lengths also possible
4. Universal application possibilities
5. Low cost seal solution



Typical Industrial Applications

Chemical industry
 Food and beverage industry
 Process industry
 Water and waste water technology
 Chemical standard pumps
 Eccentric screw pumps
 Submersible pumps

Performance Capabilities

Pressure: $p = 10 \text{ bar}$
 Speed $v_g = 15 \text{ m/sec.}$
 Temperature $t = -20 \text{ to } +120^\circ\text{C}$

Materials

Seal Face - SS, Carbon, SiC, TC
 Seat - SS, Al-oxide, SiC, TC
 Secondary Seal- NBR, EPDM, FKM, FEP
 Spring- AISI 316, 304
 Other Part- AISI 316, 304

Suitable for FRISTAM® Pumps Model

3001/2 Collet Arrangement

Item	Description
1	Seal face
2	O-ring
3	Thrust ring
4	Spring
1a	Seal face
2a	O-ring
3a	Thrust ring
4a	Spring
5	Seat
6	O-ring

Fristam® is a registered trademark of Fristam Pumpen KG (GmbH & Co.)

U320-SP2-C

For FRISTAM® Pumps

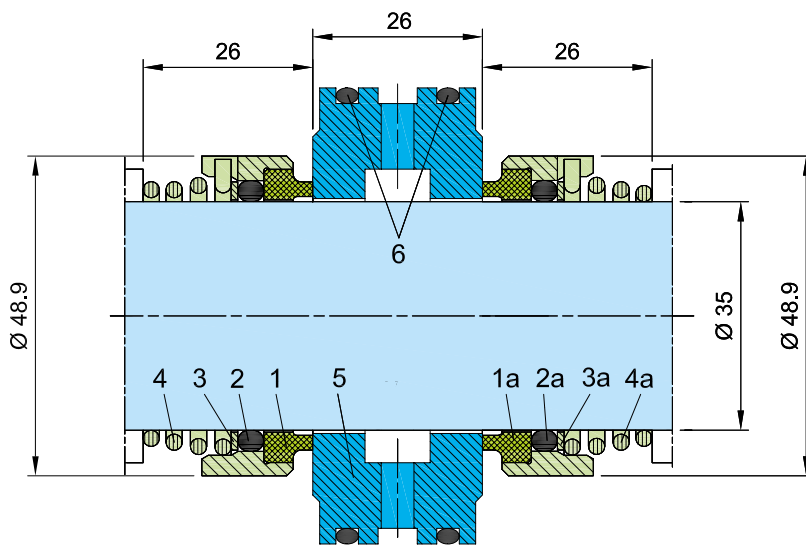


Product Description

1. Unbalanced
2. Independent on direction of rotation
3. Rotating conical or cylindrical spring
4. For Straight shafts

Technical Features

1. Applicable for low solid content
2. No damage of the shaft by set screw
3. Short installation lengths also possible
4. Universal application possibilities
5. Low cost seal solution



Typical Industrial Applications

Chemical industry
 Food and beverage industry
 Process industry
 Water and waste water technology
 Chemical standard pumps
 Eccentric screw pumps
 Submersible pumps

Performance Capabilities

Pressure: $p = 10 \text{ bar}$
 Speed $v_g = 15 \text{ m/sec.}$
 Temperature $t = -20 \text{ to } +120^\circ\text{C}$

Materials

Seal Face - SS, Carbon, SiC, TC
 Seat - SS, Al-oxide, SiC, TC
 Secondary Seal- NBR, EPDM, FKM, FEP
 Spring- AISI 316, 304
 Other Part- AISI 316, 304

Suitable for FRISTAM® Pumps Model

3501/2 Collet Arrangement

Item	Description
1	Seal face
2	O-ring
3	Thrust ring
4	Spring
1a	Seal face
2a	O-ring
3a	Thrust ring
4a	Spring
5	Seat
6	O-ring

Fristam® is a registered trademark of Fristam Pumpen KG (GmbH & Co.)

U300-SP1

For GRUNDFOS® Pumps

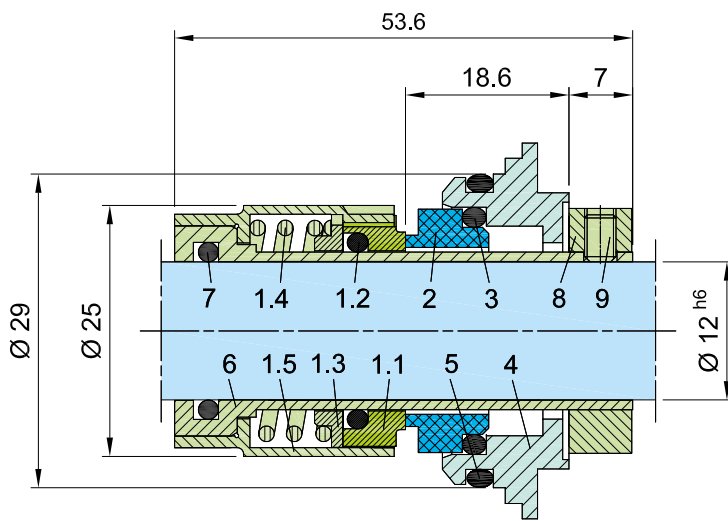


Product Description

1. Unbalanced
2. Independent on direction of rotation
3. Rotating conical or cylindrical spring
4. For Straight shafts

Technical Features

1. Applicable for low solid content
2. No damage of the shaft by set screw
3. Short installation lengths also possible
4. Universal application possibilities



Item	Description
1.1	Seal face
1.2	O-ring
1.3	Thrust ring
1.4	Spring
1.5	Retainer
2	Seat
3	O-ring
4	Housing
5	O-ring
6	Shaft sleeve
7	O-ring
8	Drive-collar
9	Set screw

Typical Industrial Applications

Chemical industry
 Food and beverage industry
 Process industry
 Water and waste water technology
 Chemical standard pumps
 Eccentric screw pumps
 Submersible pumps

Performance Capabilities

Pressure: $p = 10$ bar
 Speed $v_g = 15$ m/sec.
 Temperature $t = -20$ to $+120^\circ\text{C}$

Materials

Seal Face - SS, SiC, TC
 Seat - Carbon, Al-oxide, SiC, TC
 Secondary Seal- NBR, EPDM, FKM, FEP
 Spring- AISI 316, 304
 Other Part- AISI 316, 304

Suitable for GRUNDFOS® Pumps Model

MTR, CR/CRN 32, CR/CRN 45, CR/CRN 64,
 CR/CRN 90

Grundfos® is a registered trademark of Grundfos Holding A/S

U300-SP2

For GRUNDFOS® Pumps

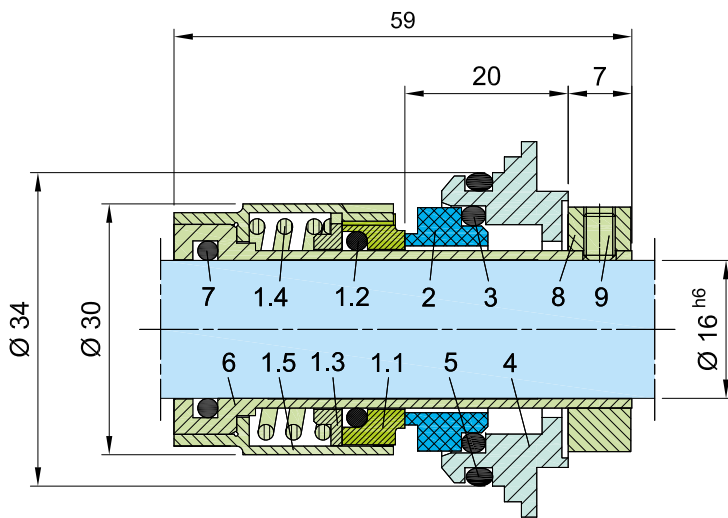


Product Description

1. Unbalanced
2. Independent on direction of rotation
3. Rotating conical or cylindrical spring
4. For Straight shafts

Technical Features

1. Applicable for low solid content
2. No damage of the shaft by set screw
3. Short installation lengths also possible
4. Universal application possibilities



Item	Description
1.1	Seal face
1.2	O-ring
1.3	Thrust ring
1.4	Spring
1.5	Retainer
2	Seat
3	O-ring
4	Housing
5	O-ring
6	Shaft sleeve
7	O-ring
8	Drive-collar
9	Set screw

Typical Industrial Applications

Chemical industry
 Food and beverage industry
 Process industry
 Water and waste water technology
 Chemical standard pumps
 Eccentric screw pumps
 Submersible pumps

Performance Capabilities

Pressure: $p = 10$ bar
 Speed $v_g = 15$ m/sec.
 Temperature $t = -20$ to $+120^\circ\text{C}$

Materials

Seal Face - SS, SiC, TC
 Seat - Carbon, Al-oxide, SiC, TC
 Secondary Seal- NBR, EPDM, FKM, FEP
 Spring- AISI 316, 304
 Other Part- AISI 316, 304

Suitable for GRUNDFOS® Pumps Model

MTR, CR/CRN 32, CR/CRN 45, CR/CRN 64,
 CR/CRN 90

Grundfos® is a registered trademark of Grundfos Holding A/S

U300-SP3

For GRUNDFOS® Pumps

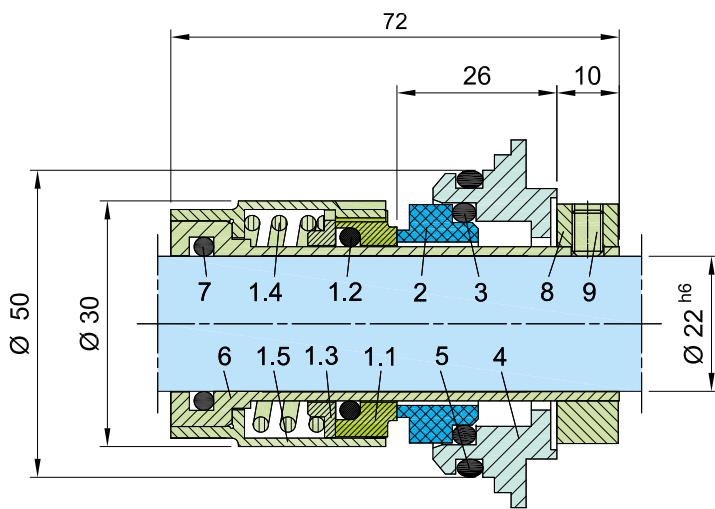


Product Description

1. Unbalanced
2. Independent on direction of rotation
3. Rotating conical or cylindrical spring
4. For Plain shafts

Technical Features

1. Applicable for low solid content
2. No damage of the shaft by set screw
3. Short installation lengths also possible
4. Universal application possibilities



Item	Description
1.1	Seal face
1.2	O-ring
1.3	Thrust ring
1.4	Spring
1.5	Retainer
2	Seat
3	O-ring
4	Housing
5	O-ring
6	Shaft sleeve
7	O-ring
8	Drive-collar
9	Set screw

Typical Industrial Applications

Chemical industry
 Food and beverage industry
 Process industry
 Water and waste water technology
 Chemical standard pumps
 Eccentric screw pumps
 Submersible pumps

Performance Capabilities

Pressure: $p = 10$ bar
 Speed $v_g = 15$ m/sec.
 Temperature $t = -20$ to $+120^\circ\text{C}$

Materials

Seal Face - SS, SiC, TC
 Seat - Carbon, Al-oxide, SiC, TC
 Secondary Seal- NBR, EPDM, FKM, FEP
 Spring- AISI 316, 304
 Other Part- AISI 316, 304

Suitable for GRUNDFOS® Pumps Model

MTR, CR/CRN 32, CR/CRN 45, CR/CRN 64,
 CR/CRN 90

Grundfos® is a registered trademark of Grundfos Holding A/S

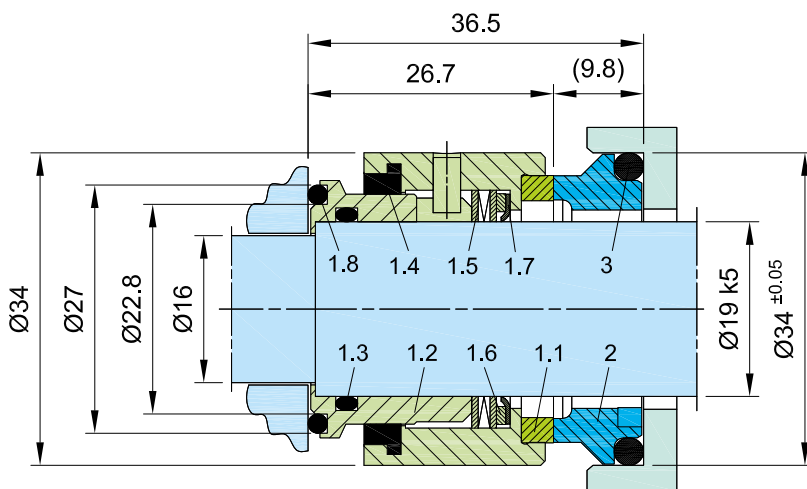


Product Description

1. Unbalanced
2. Independent on direction of rotation
3. Encapsulated spring
4. Single seal

Technical Features

1. Applicable for low solid content
2. No damage of the shaft by set screw
3. Short installation lengths also possible
4. Universal application possibilities



Typical Industrial Applications

Conveying and bottling of dairy products
 Dirty, abrasive and solids containing media
 Pulp and paper Industry
 Sugar industry
 Water and waste water technology
 Raw sludge pumps
 Raw sludge, sewage slurries
 Thick juice pumps

Performance Capabilities

Pressure: $p = 10$ bar
 Speed $v_g = 15$ m/sec.
 Temperature $t = -20$ to $+120^\circ\text{C}$

Materials

Seal Face - Carbon, SS, SiC, TC
 Seat - Carbon, Al-oxide, SiC, TC
 Secondary Seal- NBR, EPDM, FKM, FEP
 Spring- AISI 316, 304
 Other Part- AISI 316, 304

Suitable for HILGE® Pumps Model

001-019 01

Item	Description
1.1	Seal face
1.2	Driver
1.3	O-ring
1.4	Seal ring
1.5	Spring
1.6	Thrust ring
1.7	Seal ring
1.8	O-ring
2	Seat
3	O-ring

Hilge® is a registered trademark of Hilge GmbH & Co. KG

SBJ-SP2

For HILGE® Pumps

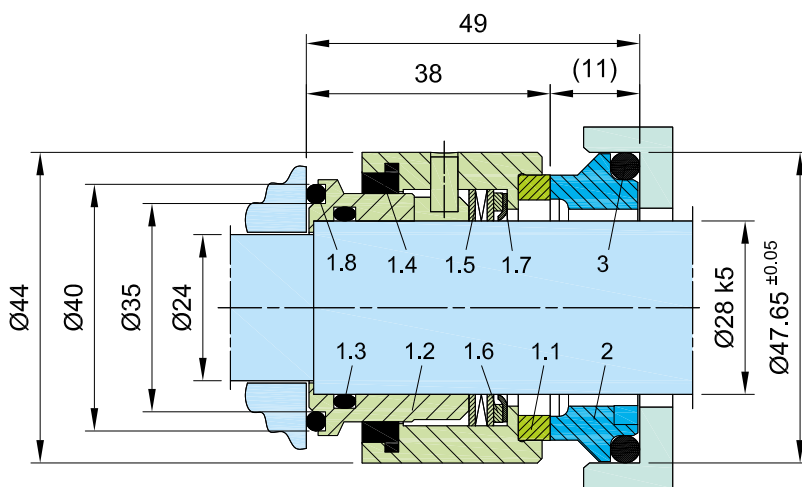


Product Description

1. Unbalanced
2. Independent on direction of rotation
3. Encapsulated spring
4. Single seal

Technical Features

1. Applicable for low solid content
2. No damage of the shaft by set screw
3. Short installation lengths also possible
4. Universal application possibilities



Typical Industrial Applications

Conveying and bottling of dairy products
 Dirty, abrasive and solids containing media
 Pulp and paper Industry
 Sugar industry
 Water and waste water technology
 Raw sludge pumps
 Raw sludge, sewage slurries
 Thick juice pumps

Performance Capabilities

Pressure: $p = 10$ bar
 Speed $v_g = 15$ m/sec.
 Temperature $t = -20$ to $+120^\circ\text{C}$

Materials

Seal Face - Carbon, SS, SiC, TC
 Seat - Carbon, Al-oxide, SiC, TC
 Secondary Seal- NBR, EPDM, FKM, FEP
 Spring- AISI 316, 304
 Other Part- AISI 316, 304

Suitable for HILGE® Pumps Model

01-28 01, BS2-28 01, BS3-28 01

Item	Description
1.1	Seal face
1.2	Driver
1.3	O-ring
1.4	Seal ring
1.5	Spring
1.6	Thrust ring
1.7	Seal ring
1.8	O-ring
2	Seat
3	O-ring

Hilge® is a registered trademark of Hilge GmbH & Co. KG

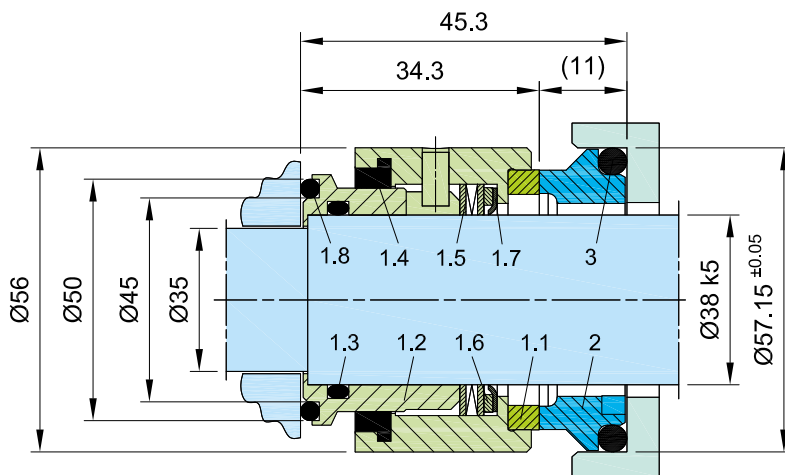


Product Description

1. Unbalanced
2. Independent on direction of rotation
3. Encapsulated spring
4. Single seal

Technical Features

1. Applicable for low solid content
2. No damage of the shaft by set screw
3. Short installation lengths also possible
4. Universal application possibilities



Typical Industrial Applications

Conveying and bottling of dairy products
 Dirty, abrasive and solids containing media
 Pulp and paper Industry
 Sugar industry
 Water and waste water technology
 Raw sludge pumps
 Raw sludge, sewage slurries
 Thick juice pumps

Performance Capabilities

Pressure: $p = 10$ bar
 Speed $v_g = 15$ m/sec.
 Temperature $t = -20$ to $+120^\circ\text{C}$

Materials

Seal Face - Carbon, SS, SiC, TC
 Seat - Carbon, Al-oxide, SiC, TC
 Secondary Seal- NBR, EPDM, FKM, FEP
 Spring- AISI 316, 304
 Other Part- AISI 316, 304

Suitable for HILGE® Pumps Model

001-38 01, BS2-38 01


Item	Description
1.1	Seal face
1.2	Driver
1.3	O-ring
1.4	Seal ring
1.5	Spring
1.6	Thrust ring
1.7	Seal ring
1.8	O-ring
2	Seat
3	O-ring

Hilge® is a registered trademark of Hilge GmbH & Co. KG



TÜVRheinland®
European Directive 2014/68/EU
QA-System (Module H)



CE  II 3 G/D c T6
ATEX - 2014/34/EU



ISO 9001:2015
ISO 14001:2015
BS-OHSAS 18001:2007



MECHANICAL SEALS FOR

Pumps | Compressors | Agitators | Rotary Applications
Seal Supply Systems | Components



sealmatic®

Bldg A, Indiplex IV, Village Ghodbunder, Shanti Vidya Nagri Road, Mira Road (E), Thane - 401104, India.
Tel.: +91 22 5050 2700 Email : info@sealmaticindia.com Website : www.sealmaticindia.com

© Sealmatic India Pvt. Ltd.

